

PLEASE CHECK WWW.MOLEX.COM FOR LATEST PART INFORMATION

Part Number: **0190730050**
Status: **Active**
Description: Avikrimp™ Ring Tongue Terminal for 18 to 22 AWG Wire, Stud Size 10, Length 20.70mm (.814"), Mylar Tape Carrier

Documents:

[Drawing \(PDF\)](#) [RoHS Certificate of Compliance \(PDF\)](#)

Agency Certification

CSA LR18689
 UL E32244

General

Product Family Ring and Spade Terminals
 Series [19073](#)
 Crimp Quality Equipment Yes
 Mil-Spec N/A
 Product Name Avikrimp™
 Type Ring

Physical

Barrel Type Closed
 Flammability 94V-0
 Insulation Nylon (PA)
 Material - Plating Mating Tin
 Packaging Type Adhesive Tape on Reel
 Stud Size 10 (M5)
 Termination Interface: Style Crimp or Compression
 Wire Insulation Diameter 3.56mm (.140") max.
 Wire Size AWG 18, 20, 22
 Wire Size mm² 0.35 - 0.80

Material Info

Old Part Number AA-833-10T

Reference - Drawing Numbers

Sales Drawing SD-19073-004



EU RoHS

ELV and RoHS Compliant
REACH SVHC
 Not Reviewed
Halogen-Free Status
Not Reviewed

China RoHS



Need more information on product environmental compliance?

Email productcompliance@molex.com
 For a multiple part number RoHS Certificate of Compliance, [click here](#)

Please visit the [Contact Us](#) section for any non-product compliance questions.

Search Parts in this Series

[19073Series](#)

Application Tooling | [FAQ](#)

Tooling specifications and manuals are found by selecting the products below. Crimp Height Specifications are then contained in the Application Tooling Specification document.

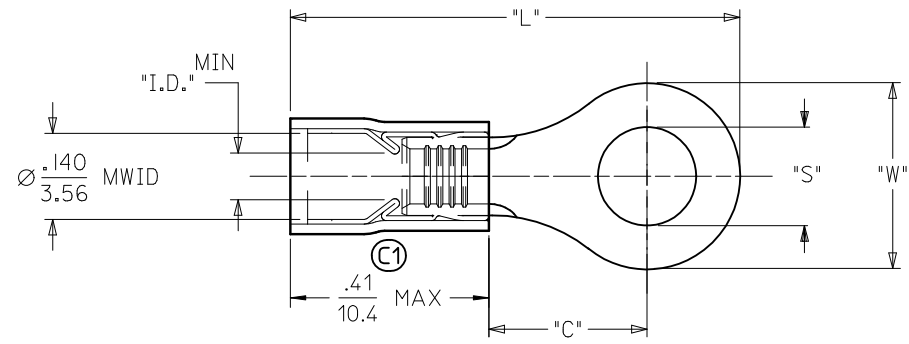
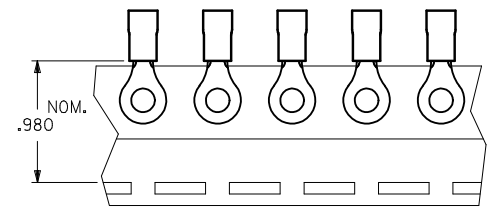
Global

Description	Product #
Crimp Dies for MTA-100 Tape Applicator used in 3BF Press, MTA-105 Tape Applicator used in TM-2000™ Press, and ATP-301 Air Crimping Press for Mylar Tape Mounted Terminals	0192880023
Mini-Mac™ Applicator	0638851300

This document was generated on 04/12/2010

PLEASE CHECK WWW.MOLEX.COM FOR LATEST PART INFORMATION

MATERIAL NUMBER	ALTERNATE NUMBER	STUD SIZE	"S"	"W"	"C" MIN (C1)	"L" MAX (C1)	"I.D."	PACKAGING
190730036	AA-832-04	04	.119(3.02)	.25(6.5)	.24(6.1)	(C1) .81 (20.6)	.062(1.57)	LOOSE PIECE
190730038	AA-832-06	06	.146(3.71)	.25(6.5)	.24(6.1)	(C1) .81 (20.6)	.062(1.57)	
190730042	AA-832-08	08	.173(4.39)	.25(6.5)	.24(6.1)	(C1) .81 (20.6)	.062(1.57)	
190730046	AA-833-04	04	.119(3.02)	.27(6.9)	.24(6.1)	.82(20.7)	.062(1.57)	
190730047	AA-833-06	06	.146(3.71)	.27(6.9)	.24(6.1)	.82(20.7)	.062(1.57)	
190730048	AA-833-08	08	.173(4.39)	.27(6.9)	.24(6.1)	.82(20.7)	.062(1.57)	
190730049	AA-833-10	10	.198(5.03)	.27(6.9)	.24(6.1)	.82(20.7)	.062(1.57)	
190730001	AA-8111-02	02	.094(2.38)	.19(4.8)	.17(4.4)	.72(18.2)	.054(1.37)	
190730003	AA-8111-04	04	.119(3.02)	.19(4.8)	.17(4.4)	.72(18.2)	.054(1.37)	
190730037	AA-832-04T	04	.119(3.02)	.25(6.5)	.24(6.1)	(C1) .81 (20.6)	.062(1.57)	
190730040	AA-832-06T	06	.146(3.71)	.25(6.5)	.24(6.1)	(C1) .81 (20.6)	.062(1.57)	
190730043	AA-832-08T	08	.173(4.39)	.25(6.5)	.24(6.1)	(C1) .81 (20.6)	.062(1.57)	
190730050	AA-833-10T	10	.198(5.03)	.27(6.9)	.24(6.1)	.82(20.7)	.062(1.57)	
190730002	AA-8111-02T	02	.094(2.38)	.19(4.8)	.17(4.4)	.72(18.2)	.054(1.37)	
190730004	AA-8111-04T	04	.119(3.02)	.19(4.8)	.17(4.4)	.72(18.2)	.054(1.37)	



- NOTES:
- MATERIAL: COPPER
PLATING: ELECTROPLATE TIN
 - FERRULE: TIN-PLATED BRASS
 - INSULATION: RED NYLON
 - MWID=MAXIMUM WIRE INSULATION DIA.
 - ALL DIMENSIONS IN INCHES (MM).
 - PARTS ARE ROHS COMPLIANT.

FIX TOLERANCES EC NO: WNA2010-0470 DRW: WETHRODAHL 2010/01/27 CHKD: JMACNEIL 2010/01/27 APPR: JMACNEIL 2010/01/27 REV: C1	QUALITY SYMBOLS ▽=0 ▽=0	GENERAL TOLERANCES (UNLESS SPECIFIED) mm INCH 4 PLACES ± --- ± --- 3 PLACES ± --- ± .005 2 PLACES ± 0.13 ± .01 1 PLACE ± 0.25 ± --- ANGULAR ± 1/2°	DIMENSION STYLE IN/MM DRAWN BY ASAYDEH DATE 05/12/07 CHECKED BY JLOMASTRO DATE 05/12/07 APPROVED BY RDEROSS DATE 05/12/07	SCALE 1:1 DESIGN UNITS INCH THIRD ANGLE PROJECTION	TITLE RING TONGUE TERMINAL 22-18 AWG AVIKRIMP, 800-SERIES
	DRAFT WHERE APPLICABLE MUST REMAIN WITHIN DIMENSIONS		MATERIAL NO. SEE CHART SIZE B	DOCUMENT NO. SD-19073-004 MOLEX INCORPORATED	SHEET NO. 1 OF 1
	THIS DRAWING CONTAINS INFORMATION THAT IS PROPRIETARY TO MOLEX INCORPORATED AND SHOULD NOT BE USED WITHOUT WRITTEN PERMISSION				
	MOLEX INCORPORATED				